

## Slotted Hole (Staggered)

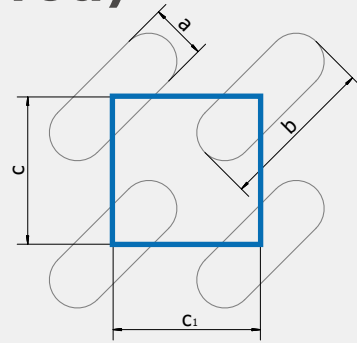
Short edge (**a**)

Edge length (**b**)

Vertical center distance (**c**)

Horizontal center distance (**c<sub>1</sub>**)

$$= 2 \times \frac{a \times b - 0.215 \times a^2}{c \times c_1} \times 100$$



a × b (mm)	c × c <sub>1</sub> (mm)	Open area (%)
1 × 15	6 × 24	20.5
1 × 15	6 × 20	24.6
2.2 × 25	10 × 30	36.0
2.5 × 25	10 × 30	40.8
3 × 30	15 × 40	29.4
3 × 35	15 × 40	34.4
3 × 60	18 × 68	29.1
4 × 25	16 × 30	40.2
4 × 28	35 × 35	17.7
4 × 57	18 × 68	36.7
5 × 15	20 × 20	34.8

a × b (mm)	c × c <sub>1</sub> (mm)	Open area (%)
5 × 15	9 × 40	38.7
5 × 35	18 × 40	47.1
6 × 15	22 × 20	37.4
6 × 25	22 × 30	43.1
6 × 40	20 × 40	58.1
6.3 × 25	17 × 35	50.1
7 × 35	26 × 40	45.1
8 × 20	26 × 32	35.2
8 × 35	14 × 82	46.4
9 × 35	32 × 40	46.5
10 × 20	40 × 30	29.8

a × b (mm)	c × c <sub>1</sub> (mm)	Open area (%)
10 × 30	32 × 35	49.7
10 × 35	32 × 40	51.3
10 × 40	16 × 92	51.4
10 × 60	50 × 68	34.0
10 × 65	18 × 150	46.6
12 × 20	44 × 30	31.7
12 × 35	35 × 80	27.8
14 × 35	36 × 80	31.1
14 × 65	24 × 150	48.2
16 × 35	42 × 80	30.1
16 × 40	24 × 96	50.8
18 × 65	28 × 150	52.4