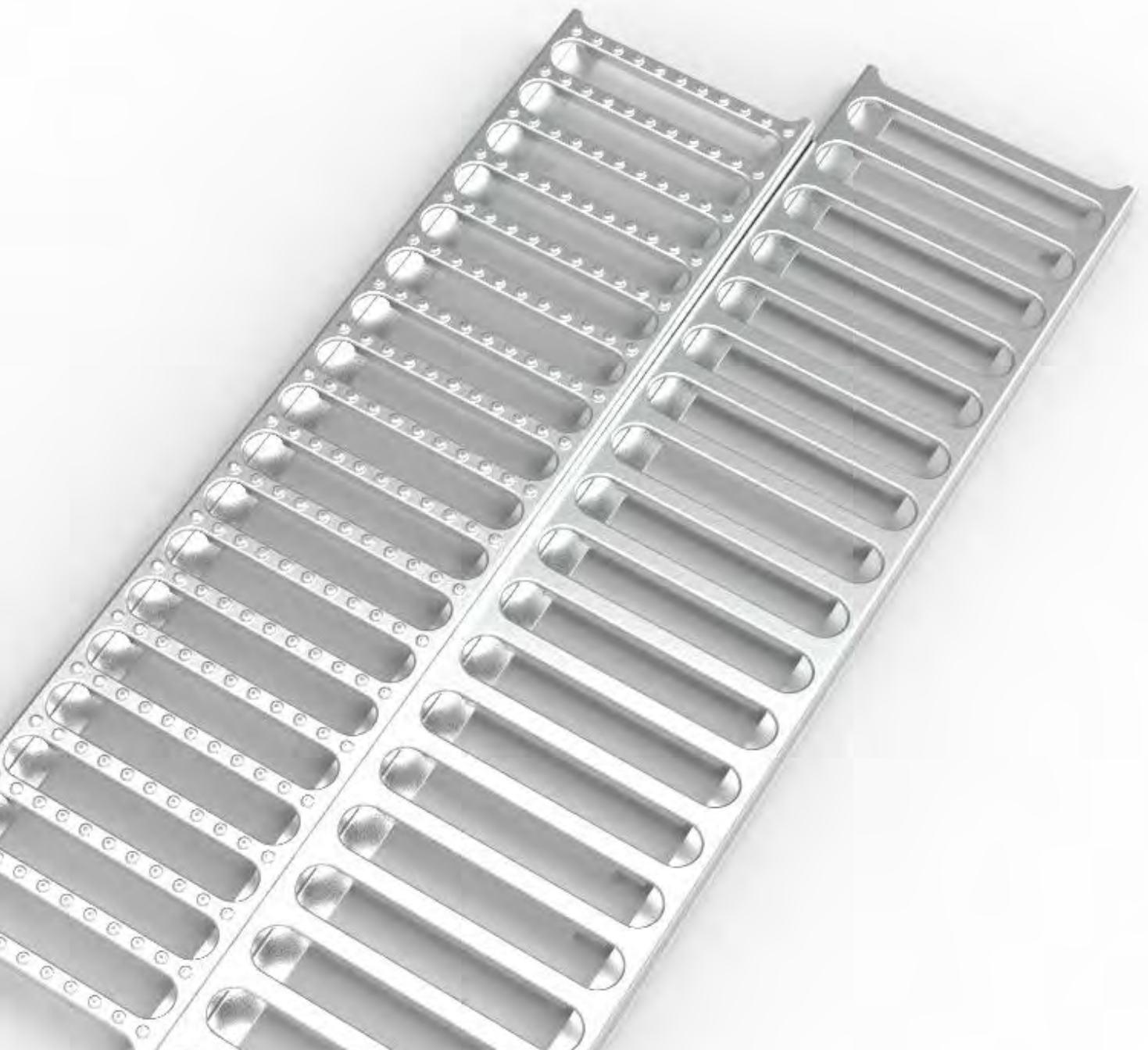


Interlocking Safety Grating





ABOUT QIUSUO

Hebei Qiusuo Wire Mesh Products Co., Ltd., located in Anping, Hebei, China, is a professional perforated metal and wedge wire screen manufacturer & supplier. Our perforated metal safety grating products ranging from Perf O-grip safety grating, grip-strut safety grating, traction thread safety grating, interlocking safety grating, variety anti-slip holes pattern safety grating and its accessories.

We have professional experienced products engineer, technical worker, technical sales consultant, sales engineers, purchasing team, QC team, engineering design team. We are swiftly evolving into a solution-oriented manufacturer and supplier, continuously optimize supply chain and manufacturing capabilities, continuously improve procurement capabilities, quality control capabilities, product development and design capabilities, and customize high-quality products to meet the individual needs of customers in multiple industry fields.

Please send us your drawing, picture or idea, we are glad to answer and resolve all your issues, not only doing regular products, and we also aim to supply more tailored solutions and products for every project.

CONTENTS



04

Brief Introduction

05

General Materials

06

Interlocking Safety Grating – Styles

07

Key Parameter

07

How to Order

08

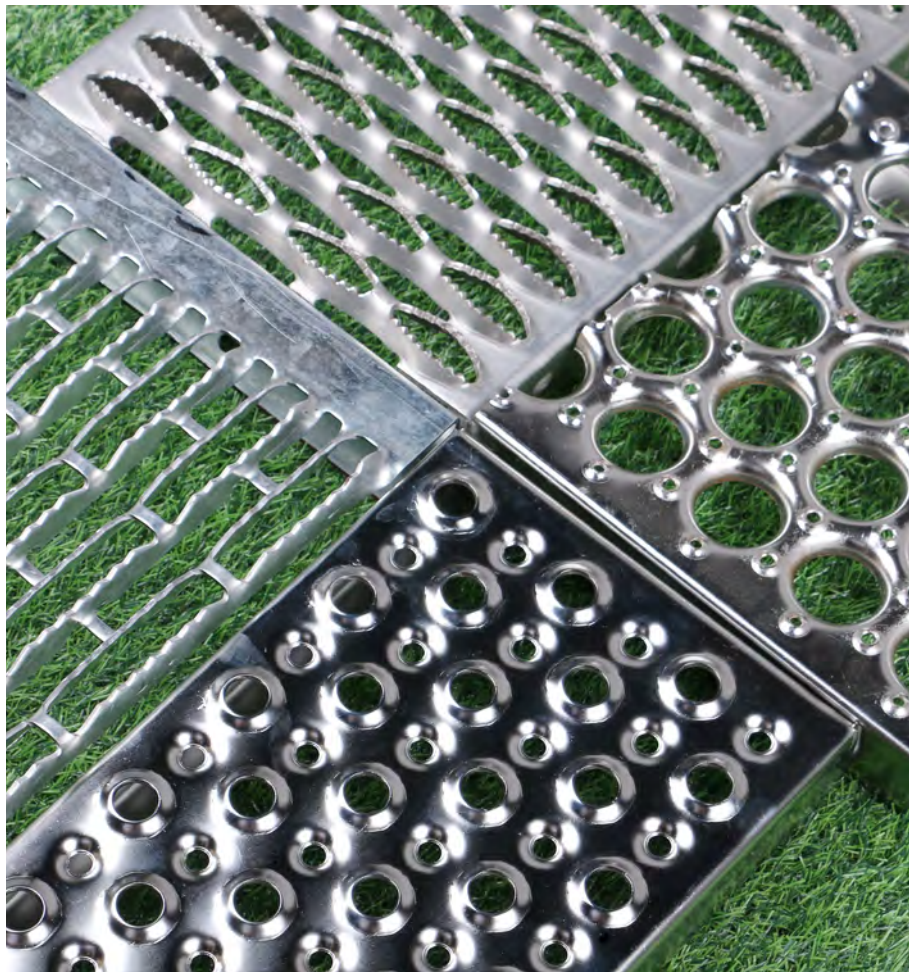
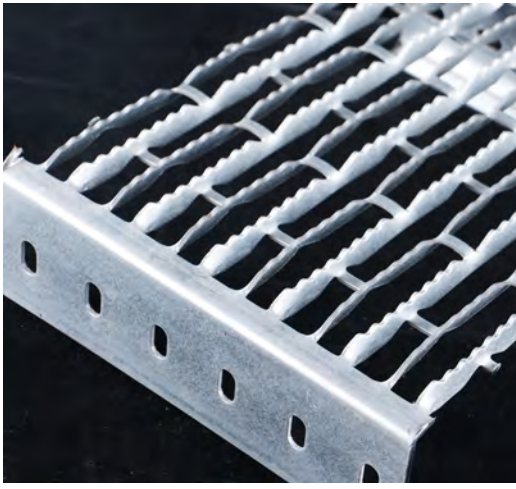
Safe Loading Tables

12

Accessories for Standard Interlocking Safety Grating

12

Application

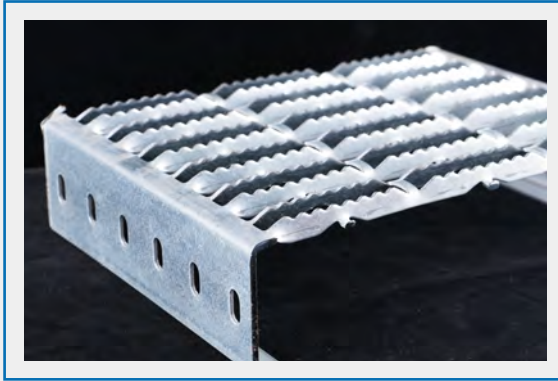


BRIEF INTRODUCTION

Personal safety has always been a highly valued issue in the process of industrial production and building construction. Safety gratings can effectively avoid the occurrence of this problem. According to different application environments and anti-skid grade requirements, we produce and offer the safety gratings with different patterns. Main products include grip-strut (diamond-grip) safety gratings, O-grip safety gratings, traction grip safety gratings and interlocking safety gratings.



GENERAL MATERIALS



Pre-galvanized carbon steel

Galvanizing process can effectively prevent steel corrosion and rust, so as to prolong the service life of steel.



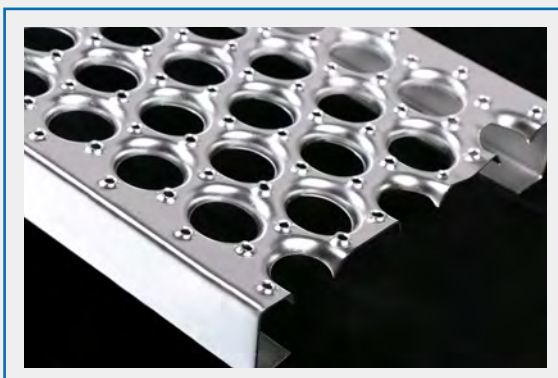
HRPO carbon steel

Hot Rolled Pickled and Oiled (HRPO) steel is produced to protect the steel from rust and corrosion. This type of material is good for fabricating, welding, bending and cold forming. Finished products have a clean and flat surface that can be used in a variety of applications.



Aluminum

We adopt 5052-H32 aluminum as material. Its main alloying element is magnesium, which has excellent formability, corrosion resistance, weldability and medium strength. The load capacity of 5052-H32 aluminum can be up to 0.5 lbs./ft.



Stainless steel

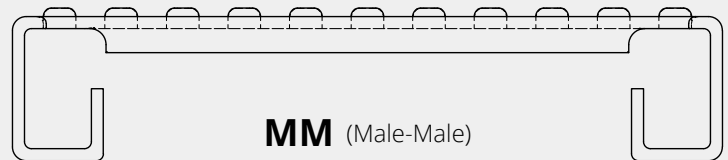
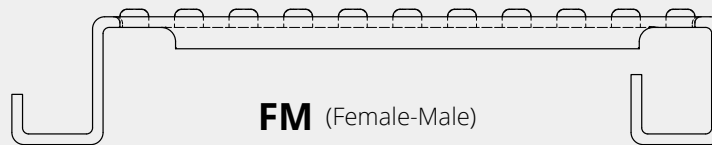
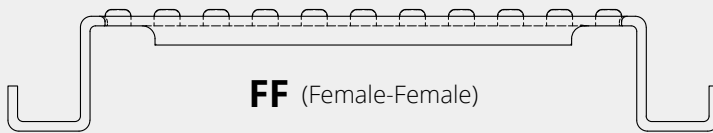
Stainless steel has good corrosion resistance, heat resistance, low temperature strength and mechanical properties. It also has good hot workability such as stamping and bending.



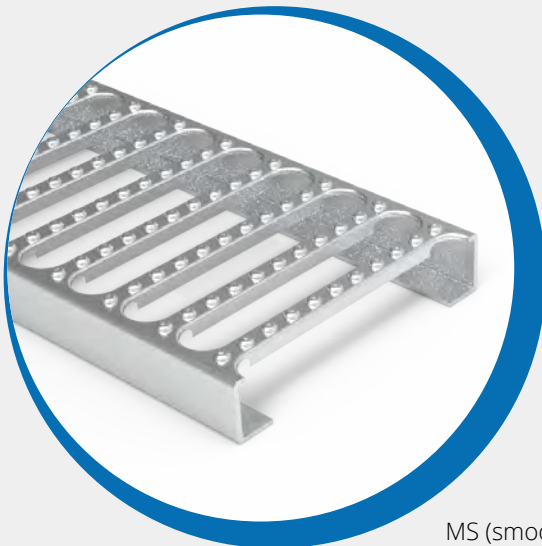
INTERLOCKING SAFETY GRATING

Interlocking safety grating, also known as grate lock safety grating, is designed for both slip resistance and easy installation. Its most prominent features are interlocking structure and the surface with long round end slots. They are recommended for slip-resistant flooring in commercial or industrial uses. E.g. mezzanine flooring, signboard walkways, inspection platforms, rack decking and many other applications.

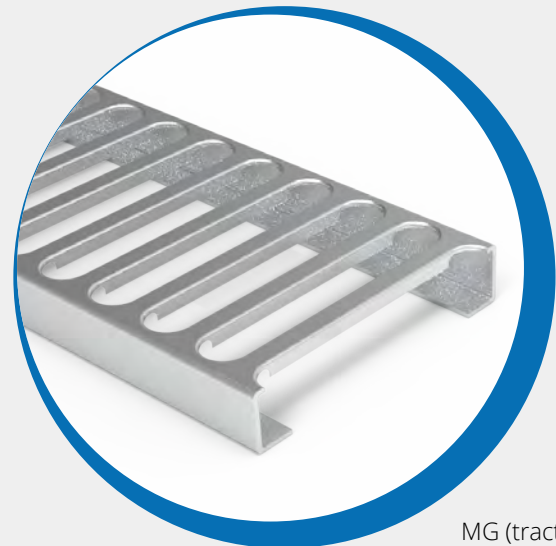
Styles



Surface Condition

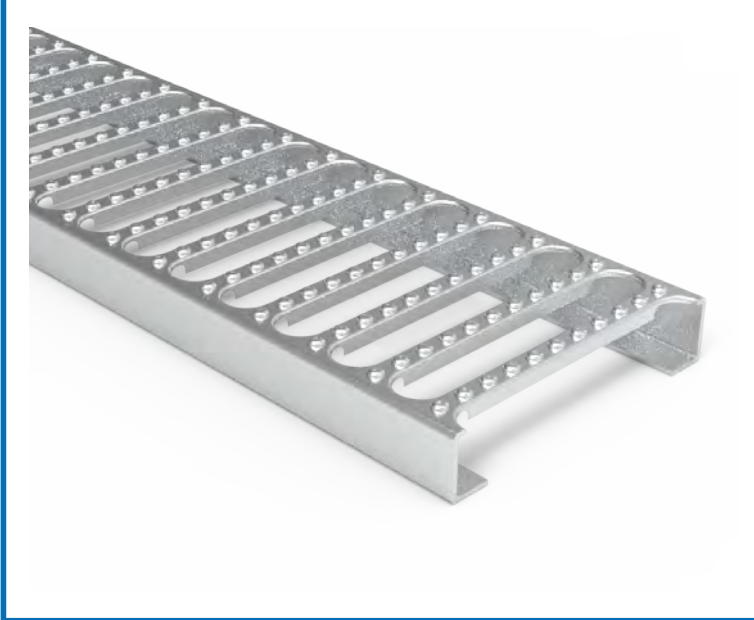


MS (smooth)



MG (traction grip)

INTERLOCKING SAFETY GRATINGS ARE COMMONLY USED AS



Plank & Walkway

Width: 3", 4", 6", 9", 12".

Height: 1-1/2", 2-1/2", 3", 4".

Gauge: 18, 14, 16.

Length: 12', 20', 24' or customized.

Flange: FM, MM, FF.



Stair Treads

Types: standard or stair treads with nosing.

Length: 24", 30", 36".

Nominal Width: 5" (2-hole), 7" (3-hole),
10" (5-hole), 12" (6-hole).

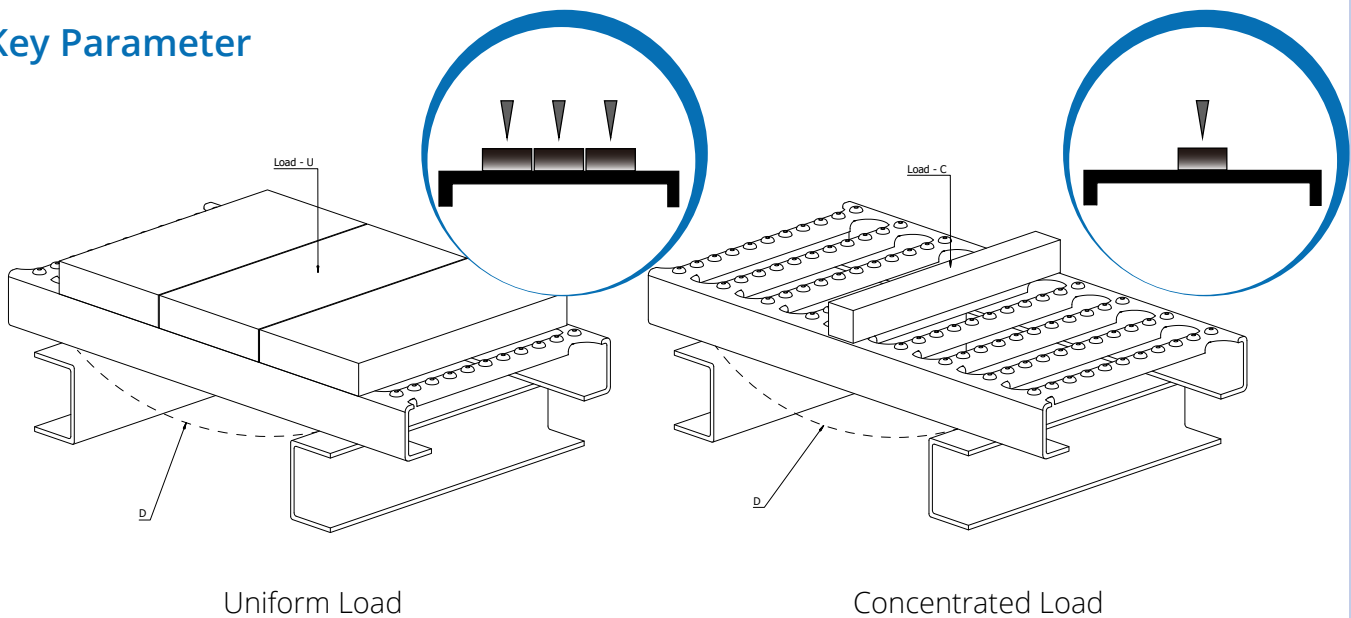
Channel Height: 1-1/2", 2".



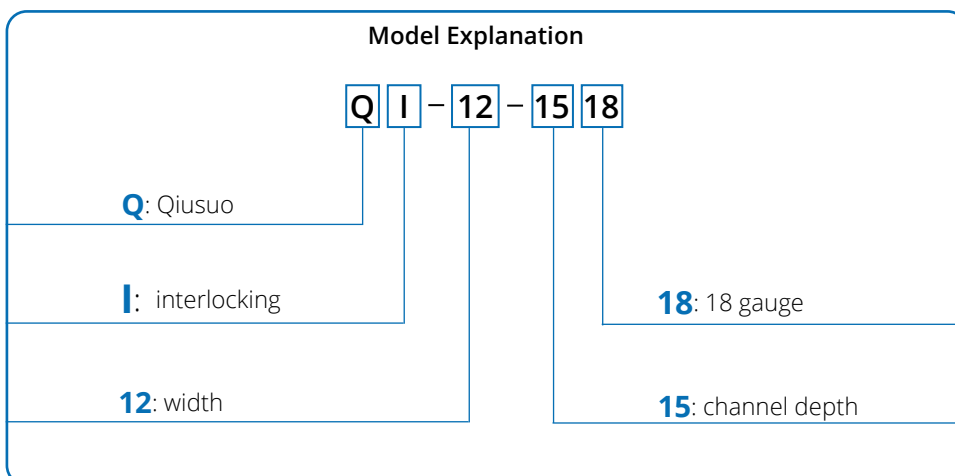


INTERLOCKING SAFETY GRATING

Key Parameter



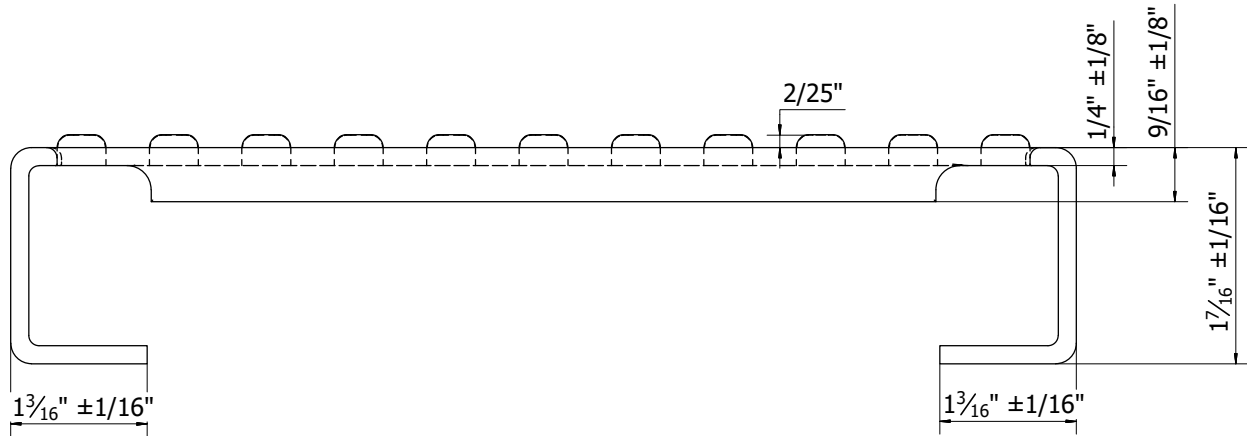
How to order



The following are **Safe Loading Tables** of parameters for different purposes.



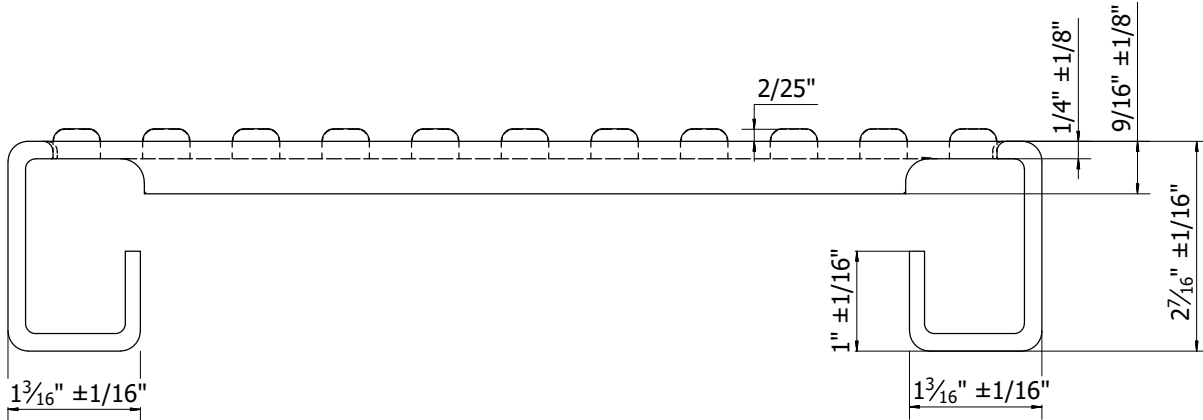
Interlocking Plank 6"/9"/12" Width



Load Table of Interlocking Safety Grating – 1-1/2" Channel Height

| U: uniform load (lb./ft. ²) | | C: concentrated load (lb.) | | D=Deflection (in.) | | Span | | | | | | | | | | | | | | | | | | |
|---|------------|----------------------------|------|--------------------|-----|------|-----|------|-----|------|-----|------|-----|------|-----|------|------|------|------|-------|------|-------|------|------|
| Gauge | Width | Cat. No. | 2' | 2.5' | 3' | 3.5' | 4' | 4.5' | 5' | 5.5' | 6' | 6.5' | 7" | 7.5' | 8' | 8.5' | 9' | 9.5' | 10' | 10.5' | 11' | 11.5' | 12' | |
| 18 | 12" | QI-12-1518 | U | 443 | 283 | 196 | 144 | 110 | 87 | 70 | 58 | 49 | 41 | 36 | 31 | 27 | 24 | 21 | 19 | 17 | 16 | 14 | 13 | 12 |
| | | | D | .10 | .11 | .14 | .18 | .22 | .27 | .33 | .40 | .48 | .56 | .65 | .74 | .84 | .95 | 1.06 | 1.18 | 1.31 | 1.45 | 1.59 | 1.73 | 1.89 |
| | 9" | QI-09-1518 | U | 591 | 378 | 263 | 193 | 147 | 116 | 94 | 78 | 65 | 56 | 48 | 42 | 37 | 32 | 29 | 26 | 23 | 21 | 19 | 17 | 16 |
| | | | D | .10 | .11 | .14 | .18 | .22 | .27 | .33 | .40 | .48 | .56 | .65 | .74 | .84 | .95 | 1.06 | 1.18 | 1.31 | 1.45 | 1.59 | 1.73 | 1.89 |
| | | | C | 440 | 352 | 293 | 251 | 220 | 195 | 176 | 160 | 146 | 135 | 125 | 117 | 110 | 103 | 97 | 92 | 86 | 83 | 80 | 76 | 73 |
| | | | D | .04 | .07 | .10 | .13 | .17 | .21 | .26 | .32 | .38 | .45 | .52 | .60 | .68 | .77 | .86 | .96 | 1.06 | 1.17 | 1.28 | 1.40 | 1.54 |
| 6" | QI-06-1518 | U | 890 | 570 | 395 | 290 | 222 | 175 | 142 | 117 | 99 | 84 | 72 | 63 | 55 | 49 | 44 | 39 | 35 | 32 | 29 | 26 | 24 | |
| | | D | .10 | .11 | .14 | .18 | .22 | .27 | .33 | .40 | .48 | .56 | .65 | .74 | .84 | .95 | 1.06 | 1.18 | 1.31 | 1.45 | 1.59 | 1.73 | 1.89 | |
| 16 | 12" | QI-12-1516 | U | 549 | 351 | 244 | 179 | 137 | 108 | 87 | 72 | 61 | 52 | 44 | 39 | 34 | 30 | 27 | 24 | 22 | 19 | 18 | 16 | 15 |
| | | | D | .10 | .11 | .14 | .18 | .22 | .27 | .33 | .40 | .48 | .56 | .65 | .74 | .84 | .95 | 1.06 | 1.18 | 1.31 | 1.45 | 1.59 | 1.73 | 1.89 |
| | 9" | QI-09-1516 | U | 733 | 469 | 326 | 239 | 183 | 144 | 117 | 97 | 81 | 69 | 59 | 52 | 45 | 40 | 36 | 32 | 29 | 26 | 24 | 22 | 20 |
| | | | D | .10 | .11 | .14 | .18 | .22 | .27 | .33 | .40 | .48 | .56 | .65 | .74 | .84 | .95 | 1.06 | 1.18 | 1.31 | 1.45 | 1.59 | 1.73 | 1.89 |
| | | | C | 546 | 437 | 364 | 312 | 273 | 242 | 218 | 198 | 182 | 168 | 156 | 145 | 136 | 128 | 121 | 115 | 109 | 104 | 99 | 95 | 91 |
| | | | D | .04 | .07 | .10 | .13 | .17 | .21 | .26 | .32 | .38 | .45 | .52 | .60 | .68 | .77 | .86 | .96 | 1.06 | 1.17 | 1.28 | 1.40 | 1.54 |
| 6" | QI-06-1516 | U | 1104 | 706 | 490 | 360 | 276 | 218 | 176 | 146 | 121 | 104 | 90 | 78 | 69 | 61 | 54 | 49 | 44 | 40 | 36 | 33 | 30 | |
| | | D | .10 | .11 | .14 | .18 | .22 | .27 | .33 | .40 | .48 | .56 | .65 | .74 | .84 | .95 | 1.06 | 1.18 | 1.31 | 1.45 | 1.59 | 1.73 | 1.89 | |
| 14 | 12" | QI-12-1514 | U | 667 | 427 | 296 | 217 | 166 | 131 | 106 | 88 | 74 | 63 | 54 | 47 | 41 | 36 | 32 | 29 | 26 | 24 | 22 | 20 | 18 |
| | | | D | .10 | .11 | .14 | .18 | .22 | .27 | .33 | .40 | .48 | .56 | .65 | .74 | .84 | .95 | 1.06 | 1.18 | 1.31 | 1.45 | 1.59 | 1.73 | 1.89 |
| | 9" | QI-09-1514 | U | 891 | 570 | 396 | 291 | 222 | 176 | 142 | 117 | 99 | 84 | 72 | 63 | 55 | 49 | 44 | 39 | 35 | 32 | 29 | 27 | 24 |
| | | | D | .10 | .11 | .14 | .18 | .22 | .27 | .33 | .40 | .48 | .56 | .65 | .74 | .84 | .95 | 1.06 | 1.18 | 1.31 | 1.45 | 1.59 | 1.73 | 1.89 |
| | | | C | 663 | 531 | 442 | 379 | 331 | 295 | 265 | 241 | 221 | 204 | 189 | 177 | 165 | 156 | 147 | 139 | 132 | 126 | 120 | 115 | 110 |
| | | | D | .04 | .07 | .10 | .13 | .17 | .21 | .26 | .32 | .38 | .45 | .52 | .60 | .68 | .77 | .86 | .96 | 1.06 | 1.17 | 1.28 | 1.40 | 1.54 |
| 6" | QI-06-1514 | U | 1341 | 858 | 596 | 438 | 335 | 265 | 214 | 177 | 149 | 127 | 109 | 95 | 83 | 74 | 66 | 59 | 53 | 48 | 44 | 40 | 37 | |
| | | D | .10 | .11 | .14 | .18 | .22 | .27 | .33 | .40 | .48 | .56 | .65 | .74 | .84 | .95 | 1.06 | 1.18 | 1.31 | 1.45 | 1.59 | 1.73 | 1.89 | |

Interlocking Plank 6"/9"/12" Width

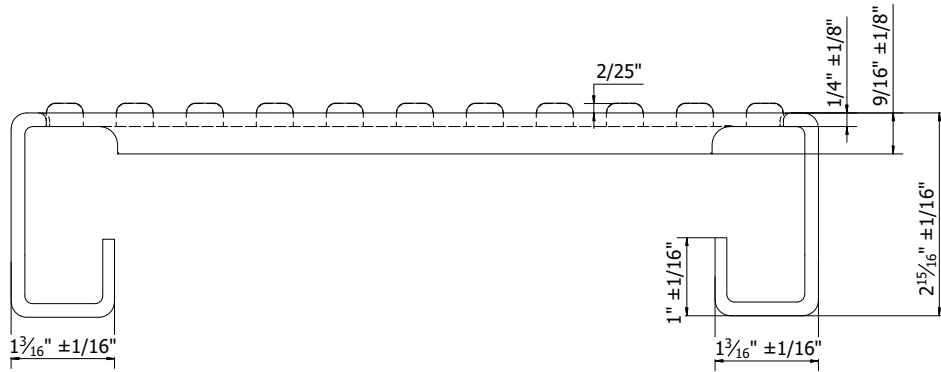


Load Table of Interlocking Safety Grating – 2-1/2" Channel Height

| U: uniform load (lb./ft. ²) | | C: concentrated load (lb.) | | D=Deflection (in.) | | Span | | | | | | | | | | | | | | | | | | |
|---|-------|----------------------------|------------|--------------------|------|------|------|------|------|------|------|------|------|------|------|------|------|------|------|------|------|--|--|--|
| Gauge | Width | Weight Lb./lin.ft. | Cat. No. | 2' | 3' | 4' | 5' | 6' | 7' | 8' | 9' | 10' | 11' | 12' | 13' | 14' | 15' | 16' | 17' | 18' | | | | |
| 18 | 12" | 3.70 | QI-12-2518 | U | 1057 | 552 | 312 | 200 | 140 | 103 | 80 | 64 | 52 | 43 | 36 | 31 | 27 | 23 | 20 | 18 | 16 | | | |
| | | | | D | 0.03 | 0.10 | 0.17 | 0.27 | 0.39 | 0.54 | 0.71 | 0.90 | 1.13 | 1.38 | 1.61 | 1.91 | 2.23 | 2.47 | 2.83 | 3.20 | 3.60 | | | |
| | | | | C | 529 | 529 | 529 | 501 | 420 | 362 | 319 | 286 | 260 | 239 | 217 | 207 | 194 | 184 | 175 | 167 | 160 | | | |
| | | | | D | 0.01 | 0.05 | 0.12 | 0.22 | 0.31 | 0.43 | 0.57 | 0.72 | 0.90 | 1.09 | 1.33 | 1.57 | 1.85 | 2.15 | 2.48 | 2.85 | 3.24 | | | |
| | 9" | 3.16 | QI-09-2518 | U | 1552 | 691 | 390 | 251 | 175 | 129 | 100 | 79 | 65 | 54 | 46 | 40 | 35 | 30 | 27 | 24 | 21 | | | |
| | | | | D | 0.05 | 0.10 | 0.18 | 0.28 | 0.41 | 0.56 | 0.74 | 0.95 | 1.18 | 1.44 | 1.73 | 2.05 | 2.41 | 2.80 | 3.22 | 3.69 | 4.01 | | | |
| | | | | C | 705 | 705 | 585 | 470 | 394 | 339 | 299 | 268 | 243 | 223 | 207 | 193 | 181 | 171 | 163 | 153 | 145 | | | |
| | | | | D | 0.02 | 0.07 | 0.14 | 0.23 | 0.33 | 0.45 | 0.59 | 0.76 | 0.94 | 1.15 | 1.38 | 1.64 | 1.93 | 2.24 | 2.58 | 2.91 | 3.27 | | | |
| | 6" | 2.62 | QI-06-2518 | U | 2141 | 954 | 538 | 346 | 241 | 178 | 137 | 109 | 89 | 74 | 63 | 54 | 47 | 42 | 37 | 33 | 30 | | | |
| | | | | D | 0.04 | 0.09 | 0.16 | 0.25 | 0.36 | 0.50 | 0.65 | 0.83 | 1.04 | 1.27 | 1.52 | 1.80 | 2.11 | 2.45 | 2.82 | 3.23 | 3.67 | | | |
| | | | | C | 1053 | 715 | 538 | 432 | 362 | 312 | 274 | 246 | 223 | 204 | 189 | 176 | 165 | 156 | 148 | 141 | 135 | | | |
| | | | | D | 0.04 | 0.17 | 0.13 | 0.20 | 0.29 | 0.40 | 0.52 | 0.67 | 0.83 | 1.01 | 1.22 | 1.44 | 1.69 | 1.96 | 2.26 | 2.58 | 2.93 | | | |
| 16 | 12" | 4.55 | QI-12-2516 | U | 1276 | 655 | 370 | 238 | 166 | 123 | 95 | 76 | 62 | 52 | 44 | 37 | 32 | 28 | 24 | 22 | 20 | | | |
| | | | | D | 0.03 | 0.10 | 0.17 | 0.27 | 0.39 | 0.54 | 0.71 | 0.91 | 1.13 | 1.39 | 1.67 | 1.94 | 2.21 | 2.55 | 2.81 | 3.34 | 3.59 | | | |
| | | | | C | 638 | 638 | 638 | 595 | 499 | 432 | 381 | 342 | 312 | 285 | 261 | 241 | 224 | 209 | 196 | 184 | 174 | | | |
| | | | | D | 0.01 | 0.05 | 0.12 | 0.22 | 0.31 | 0.43 | 0.57 | 0.72 | 0.91 | 1.10 | 1.31 | 1.53 | 1.78 | 2.04 | 2.34 | 2.63 | 2.94 | | | |
| | 9" | 3.89 | QI-09-2516 | U | 1949 | 869 | 491 | 316 | 220 | 163 | 126 | 100 | 82 | 69 | 58 | 49 | 43 | 37 | 33 | 29 | 26 | | | |
| | | | | D | 0.05 | 0.10 | 0.18 | 0.29 | 0.41 | 0.57 | 0.76 | 0.96 | 1.19 | 1.46 | 1.76 | 2.05 | 2.39 | 2.69 | 3.16 | 3.48 | 3.92 | | | |
| | | | | C | 851 | 851 | 736 | 592 | 496 | 428 | 378 | 339 | 308 | 283 | 261 | 241 | 224 | 209 | 196 | 184 | 174 | | | |
| | | | | D | 0.02 | 0.09 | 0.15 | 0.23 | 0.33 | 0.45 | 0.60 | 0.76 | 0.95 | 1.17 | 1.40 | 1.64 | 1.90 | 2.19 | 2.48 | 2.77 | 3.15 | | | |
| | 6" | 3.22 | QI-06-2516 | U | 2774 | 1235 | 696 | 447 | 312 | 230 | 177 | 140 | 114 | 95 | 81 | 69 | 60 | 53 | 47 | 42 | 38 | | | |
| | | | | D | 0.04 | 0.09 | 0.17 | 0.26 | 0.38 | 0.51 | 0.67 | 0.86 | 1.06 | 1.30 | 1.55 | 1.84 | 2.15 | 2.49 | 2.86 | 3.26 | 3.69 | | | |
| | | | | C | 1134 | 926 | 696 | 559 | 467 | 402 | 354 | 316 | 286 | 262 | 242 | 225 | 211 | 198 | 188 | 178 | 170 | | | |
| | | | | D | 0.02 | 0.07 | 0.13 | 0.21 | 0.30 | 0.41 | 0.54 | 0.69 | 0.85 | 1.04 | 1.24 | 1.47 | 1.72 | 1.99 | 2.29 | 2.61 | 2.95 | | | |
| 14 | 12" | 5.62 | QI-12-2514 | U | 1276 | 783 | 442 | 284 | 199 | 147 | 113 | 90 | 74 | 62 | 52 | 44 | 38 | 35 | 29 | 28 | 25 | | | |
| | | | | D | 0.03 | 0.10 | 0.17 | 0.27 | 0.39 | 0.54 | 0.71 | 0.91 | 1.13 | 1.38 | 1.63 | 1.94 | 2.20 | 2.70 | 2.92 | 3.58 | 4.08 | | | |
| | | | | C | 730 | 730 | 730 | 711 | 596 | 514 | 454 | 407 | 370 | 338 | 310 | 286 | 266 | 248 | 233 | 219 | 207 | | | |
| | | | | D | 0.01 | 0.05 | 0.12 | 0.22 | 0.31 | 0.43 | 0.57 | 0.72 | 0.90 | 1.09 | 1.31 | 1.53 | 1.77 | 2.04 | 2.33 | 2.63 | 2.96 | | | |
| | 9" | 4.80 | QI-09-2514 | U | 2357 | 1050 | 593 | 381 | 266 | 196 | 151 | 121 | 98 | 82 | 70 | 58 | 50 | 45 | 40 | 36 | 32 | | | |
| | | | | D | 0.04 | 0.10 | 0.18 | 0.28 | 0.41 | 0.56 | 0.74 | 0.94 | 1.17 | 1.43 | 1.72 | 1.88 | 2.21 | 2.57 | 2.96 | 3.39 | 3.85 | | | |
| | | | | C | 974 | 974 | 889 | 714 | 598 | 516 | 454 | 407 | 369 | 339 | 314 | 282 | 265 | 250 | 238 | 227 | 218 | | | |
| | | | | D | 0.02 | 0.07 | 0.14 | 0.23 | 0.33 | 0.45 | 0.59 | 0.75 | 0.94 | 1.14 | 1.38 | 1.50 | 1.77 | 2.05 | 2.37 | 2.71 | 3.08 | | | |
| | 6" | 3.98 | QI-06-2514 | U | 3722 | 1654 | 931 | 596 | 414 | 304 | 233 | 184 | 149 | 123 | 103 | 88 | 76 | 66 | 58 | 52 | 46 | | | |
| | | | | D | 0.05 | 0.10 | 0.15 | 0.29 | 0.42 | 0.56 | 0.74 | 0.93 | 1.15 | 1.39 | 1.65 | 1.93 | 2.25 | 2.57 | 2.91 | 3.32 | 3.70 | | | |
| | | | | C | 1461 | 1241 | 931 | 744 | 620 | 532 | 465 | 414 | 372 | 338 | 310 | 286 | 266 | 248 | 233 | 219 | 207 | | | |
| | | | | D | 0.03 | 0.09 | 0.14 | 0.23 | 0.33 | 0.45 | 0.58 | 0.74 | 0.92 | 1.11 | 1.32 | 1.55 | 1.80 | 2.06 | 2.36 | 2.65 | 2.98 | | | |



Interlocking Plank 6"/9"/12" Width

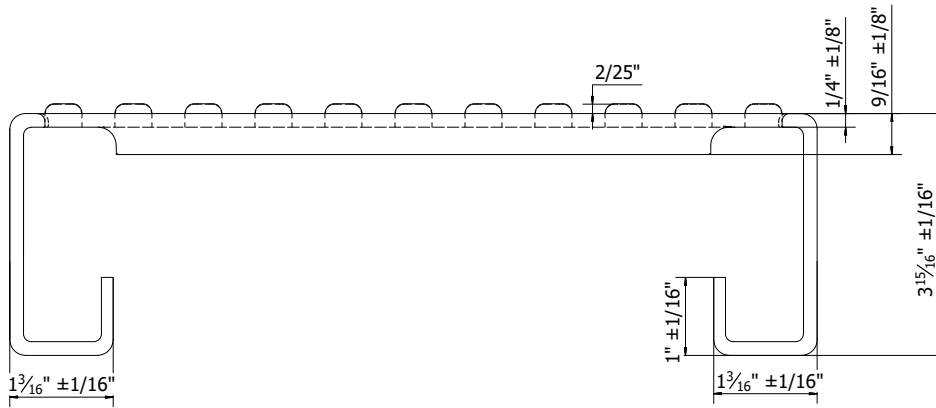


Load Table of Interlocking Safety Grating – 3" Channel Height

U: uniform load (lb./ft.²) C: concentrated load (lb.) D=Deflection (in.)

| Gauge | Width | Weight Lb./lin.ft. | Cat. No. | | Span | | | | | | | | | | | | | | | | | |
|-------|-------|-----------------------|------------|---|------|------|------|------|------|------|------|------|------|------|------|------|------|------|------|------|------|--|
| | | | | | 2' | 3' | 4' | 5' | 6' | 7' | 8' | 9' | 10' | 11' | 12' | 13' | 14' | 15' | 16' | 17' | 18' | |
| 18 | 12" | 3.88 | QI-12-3018 | U | 1057 | 611 | 345 | 222 | 155 | 114 | 88 | 70 | 57 | 48 | 41 | 35 | 31 | 27 | 24 | 22 | 20 | |
| | | | | D | 0.02 | 0.07 | 0.12 | 0.19 | 0.28 | 0.39 | 0.51 | 0.65 | 0.80 | 0.98 | 1.20 | 1.43 | 1.68 | 1.95 | 2.25 | 2.58 | 2.93 | |
| | | | | C | 529 | 529 | 529 | 529 | 472 | 405 | 354 | 316 | 287 | 263 | 244 | 229 | 215 | 203 | 193 | 184 | 177 | |
| | | | | D | 0.01 | 0.03 | 0.07 | 0.14 | 0.22 | 0.31 | 0.41 | 0.52 | 0.64 | 0.79 | 0.95 | 1.14 | 1.34 | 1.56 | 1.80 | 2.06 | 2.34 | |
| | 9" | 3.34 | QI-09-3018 | U | 1881 | 840 | 472 | 302 | 210 | 154 | 118 | 93 | 76 | 62 | 52 | 45 | 39 | 34 | 30 | 26 | 24 | |
| | | | | D | 0.03 | 0.08 | 0.13 | 0.21 | 0.31 | 0.42 | 0.55 | 0.68 | 0.86 | 1.01 | 1.21 | 1.43 | 1.70 | 1.93 | 2.23 | 2.47 | 2.81 | |
| | | | | C | 705 | 705 | 705 | 567 | 472 | 405 | 354 | 315 | 283 | 258 | 236 | 218 | 202 | 189 | 177 | 168 | 161 | |
| | | | | D | 0.01 | 0.04 | 0.11 | 0.17 | 0.24 | 0.33 | 0.44 | 0.55 | 0.68 | 0.82 | 0.98 | 1.15 | 1.32 | 1.52 | 1.74 | 1.97 | 2.24 | |
| | 6" | 2.80 | QI-06-3018 | U | 2834 | 1260 | 709 | 453 | 315 | 231 | 177 | 140 | 113 | 94 | 79 | 67 | 58 | 50 | 44 | 39 | 35 | |
| | | | | D | 0.04 | 0.07 | 0.13 | 0.21 | 0.29 | 0.39 | 0.52 | 0.66 | 0.80 | 0.99 | 1.19 | 1.37 | 1.14 | 1.82 | 2.08 | 2.34 | 2.60 | |
| | | | | C | 1058 | 945 | 709 | 567 | 472 | 405 | 354 | 315 | 283 | 258 | 236 | 218 | 202 | 189 | 177 | 167 | 157 | |
| | | | | D | 0.02 | 0.06 | 0.11 | 0.16 | 0.23 | 0.32 | 0.42 | 0.53 | 0.65 | 0.60 | 0.93 | 1.11 | 1.28 | 1.47 | 1.66 | 1.14 | 2.09 | |
| 16 | 12" | 4.77 | QI-12-3016 | U | 1276 | 775 | 438 | 282 | 197 | 160 | 123 | 98 | 80 | 66 | 56 | 45 | 39 | 35 | 31 | 28 | 25 | |
| | | | | D | 0.02 | 0.07 | 0.12 | 0.20 | 0.28 | 0.45 | 0.59 | 0.75 | 0.93 | 1.13 | 1.35 | 1.43 | 1.69 | 1.96 | 2.27 | 2.61 | 2.97 | |
| | | | | C | 638 | 638 | 638 | 638 | 591 | 559 | 492 | 440 | 398 | 365 | 337 | 293 | 276 | 262 | 249 | 238 | 229 | |
| | | | | D | 0.01 | 0.03 | 0.07 | 0.05 | 0.23 | 0.36 | 0.47 | 0.60 | 0.74 | 0.90 | 1.08 | 1.15 | 1.35 | 1.57 | 1.82 | 2.09 | 2.38 | |
| | 9" | 4.11 | QI-09-3016 | U | 2275 | 1029 | 581 | 373 | 261 | 193 | 149 | 118 | 97 | 81 | 69 | 59 | 52 | 46 | 40 | 36 | 33 | |
| | | | | D | 0.03 | 0.03 | 0.13 | 0.21 | 0.30 | 0.41 | 0.54 | 0.69 | 0.87 | 1.06 | 1.27 | 1.51 | 1.77 | 2.06 | 2.37 | 2.70 | 3.05 | |
| | | | | C | 851 | 851 | 851 | 700 | 587 | 506 | 446 | 400 | 363 | 333 | 309 | 288 | 271 | 256 | 242 | 230 | 220 | |
| | | | | D | 0.01 | 0.04 | 0.11 | 0.17 | 0.24 | 0.33 | 0.44 | 0.56 | 0.69 | 0.85 | 1.02 | 1.21 | 1.42 | 1.65 | 1.89 | 2.16 | 2.44 | |
| | 6" | 3.44 | QI-06-3016 | U | 3418 | 1519 | 854 | 547 | 380 | 279 | 214 | 169 | 137 | 113 | 95 | 82 | 71 | 62 | 55 | 49 | 45 | |
| | | | | D | 0.03 | 0.07 | 0.12 | 0.20 | 0.28 | 0.39 | 0.50 | 0.64 | 0.79 | 0.95 | 1.13 | 1.34 | 1.56 | 1.81 | 2.08 | 2.37 | 2.68 | |
| | | | | C | 1134 | 1134 | 854 | 684 | 570 | 480 | 427 | 380 | 342 | 310 | 286 | 266 | 249 | 234 | 221 | 210 | 201 | |
| | | | | D | 0.02 | 0.05 | 0.10 | 0.15 | 0.23 | 0.31 | 0.40 | 0.51 | 0.63 | 0.76 | 0.91 | 1.07 | 1.25 | 1.45 | 1.66 | 1.89 | 2.14 | |
| 14 | 12" | 5.89 | QI-12-3014 | U | 1461 | 950 | 536 | 345 | 241 | 178 | 137 | 109 | 89 | 74 | 63 | 54 | 47 | 42 | 37 | 33 | 30 | |
| | | | | D | 0.02 | 0.07 | 0.13 | 0.20 | 0.29 | 0.40 | 0.53 | 0.67 | 0.84 | 1.02 | 1.23 | 1.46 | 1.71 | 1.99 | 2.29 | 2.62 | 2.98 | |
| | | | | C | 730 | 730 | 730 | 730 | 722 | 622 | 548 | 491 | 446 | 409 | 379 | 353 | 332 | 314 | 298 | 284 | 272 | |
| | | | | D | 0.01 | 0.03 | 0.07 | 0.14 | 0.23 | 0.32 | 0.42 | 0.54 | 0.67 | 0.82 | 0.98 | 1.17 | 1.37 | 1.59 | 1.83 | 2.10 | 2.38 | |
| | 9" | 5.07 | QI-09-3014 | U | 2597 | 1477 | 831 | 532 | 369 | 271 | 208 | 164 | 133 | 110 | 92 | 79 | 68 | 59 | 52 | 46 | 41 | |
| | | | | D | 0.03 | 0.09 | 0.16 | 0.25 | 0.36 | 0.48 | 0.63 | 0.79 | 0.98 | 1.19 | 1.40 | 1.67 | 1.94 | 2.18 | 2.53 | 2.81 | 3.14 | |
| | | | | C | 974 | 974 | 974 | 974 | 831 | 712 | 623 | 554 | 498 | 453 | 415 | 383 | 356 | 332 | 311 | 293 | 277 | |
| | | | | D | 0.01 | 0.04 | 0.10 | 0.20 | 0.28 | 0.38 | 0.50 | 0.63 | 0.78 | 0.95 | 1.12 | 1.32 | 1.54 | 1.76 | 2.00 | 2.27 | 2.54 | |
| | 6" | 4.25 | QI-06-3014 | U | 4984 | 2215 | 1246 | 797 | 554 | 407 | 311 | 246 | 199 | 165 | 138 | 118 | 102 | 89 | 78 | 69 | 62 | |
| | | | | D | 0.04 | 0.09 | 0.15 | 0.24 | 0.34 | 0.46 | 0.60 | 0.76 | 0.94 | 1.14 | 1.36 | 1.60 | 1.85 | 2.12 | 2.42 | 2.72 | 3.05 | |
| | | | | C | 1461 | 1461 | 1246 | 997 | 831 | 712 | 623 | 554 | 498 | 453 | 415 | 383 | 356 | 332 | 311 | 293 | 277 | |
| | | | | D | 0.02 | 0.06 | 0.12 | 0.19 | 0.27 | 0.36 | 0.48 | 0.61 | 0.75 | 0.91 | 1.08 | 1.27 | 1.48 | 1.70 | 1.92 | 2.18 | 2.43 | |

Interlocking Plank 6"/9"/12" Width

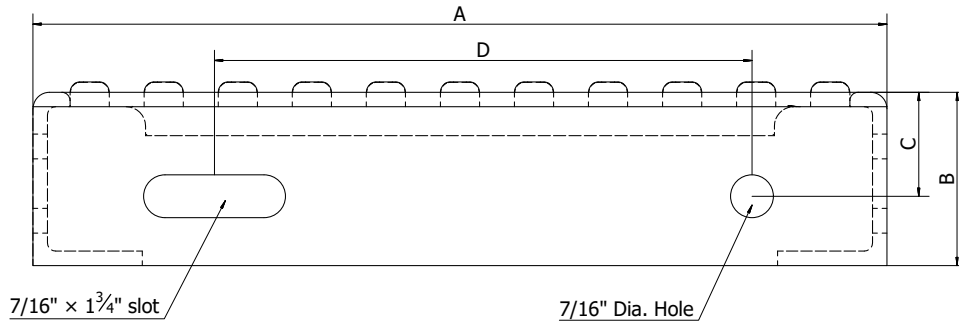


Load Table of Interlocking Safety Grating – 4" Channel Height

| U: uniform load (lb./ft. ²) | | C: concentrated load (lb.) | | D=Deflection (in.) | | Span | | | | | | | | | | | | | | | |
|---|-------|----------------------------|------------|--------------------|------|------|------|------|------|------|------|------|------|------|------|------|------|------|------|------|------|
| Gauge | Width | Weight Lb./lin.ft. | Cat. No. | | 2' | 3' | 4' | 5' | 6' | 7' | 8' | 9' | 10' | 11' | 12' | 13' | 14' | 15' | 16' | 17' | 18' |
| 18 | 12" | 3.70 | QI-12-4018 | U | 1057 | 996 | 560 | 359 | 249 | 183 | 140 | 111 | 90 | 74 | 62 | 53 | 46 | 40 | 35 | 31 | 28 |
| | | | | D | 0.03 | 0.06 | 0.11 | 0.16 | 0.24 | 0.34 | 0.42 | 0.54 | 0.66 | 0.81 | 0.96 | 1.09 | 1.26 | 1.45 | 1.65 | 1.90 | 2.11 |
| | | | | C | 529 | 529 | 529 | 529 | 529 | 529 | 498 | 448 | 408 | 374 | 345 | 320 | 299 | 280 | 264 | 249 | |
| | | | | D | 0.00 | 0.01 | 0.04 | 0.08 | 0.13 | 0.21 | 0.32 | 0.44 | 0.53 | 0.65 | 0.77 | 0.87 | 1.01 | 1.17 | 1.33 | 1.50 | 1.68 |
| | 9" | 3.16 | QI-09-4018 | U | 1881 | 1329 | 747 | 478 | 332 | 244 | 187 | 148 | 120 | 99 | 83 | 71 | 61 | 53 | 47 | 41 | 37 |
| | | | | D | 0.02 | 0.06 | 0.12 | 0.18 | 0.26 | 0.35 | 0.47 | 0.58 | 0.72 | 0.86 | 1.03 | 1.21 | 1.41 | 1.60 | 1.83 | 2.05 | 2.34 |
| | | | | C | 705 | 705 | 705 | 705 | 705 | 641 | 560 | 498 | 448 | 408 | 374 | 345 | 320 | 299 | 280 | 264 | 249 |
| | | | | D | 0.01 | 0.02 | 0.06 | 0.12 | 0.20 | 0.28 | 0.36 | 0.46 | 0.57 | 0.70 | 0.83 | 0.96 | 1.12 | 1.28 | 1.47 | 1.65 | 1.85 |
| | 6" | 2.62 | QI-06-4018 | U | 4232 | 1993 | 1121 | 717 | 498 | 366 | 280 | 221 | 179 | 148 | 125 | 106 | 92 | 80 | 70 | 62 | 55 |
| | | | | D | 0.03 | 0.06 | 0.10 | 0.18 | 0.25 | 0.34 | 0.44 | 0.55 | 0.69 | 0.83 | 0.99 | 1.17 | 1.35 | 1.54 | 1.77 | 1.98 | 2.24 |
| | | | | C | 1058 | 1058 | 1058 | 897 | 747 | 641 | 560 | 498 | 448 | 408 | 374 | 345 | 320 | 299 | 280 | 264 | 249 |
| | | | | D | 0.01 | 0.04 | 0.08 | 0.13 | 0.19 | 0.26 | 0.35 | 0.45 | 0.55 | 0.67 | 0.80 | 0.93 | 1.07 | 1.24 | 1.41 | 1.60 | 1.78 |
| 16 | 12" | 4.55 | QI-12-4016 | U | 1276 | 1215 | 685 | 439 | 306 | 226 | 173 | 138 | 112 | 93 | 79 | 69 | 60 | 53 | 47 | 42 | 37 |
| | | | | D | 0.03 | 0.06 | 0.11 | 0.17 | 0.25 | 0.34 | 0.45 | 0.51 | 0.71 | 0.86 | 1.03 | 1.11 | 1.29 | 1.49 | 1.71 | 1.95 | 2.20 |
| | | | | C | 638 | 638 | 638 | 638 | 638 | 638 | 619 | 560 | 512 | 472 | 450 | 420 | 395 | 373 | 354 | 337 | |
| | | | | D | 0.00 | 0.01 | 0.04 | 0.08 | 0.14 | 0.21 | 0.33 | 0.46 | 0.57 | 0.69 | 0.83 | 0.89 | 1.03 | 1.20 | 1.37 | 1.56 | 1.76 |
| | 9" | 3.89 | QI-09-4016 | U | 2275 | 1612 | 907 | 580 | 403 | 296 | 227 | 179 | 145 | 120 | 101 | 86 | 75 | 66 | 58 | 52 | 47 |
| | | | | D | 0.02 | 0.06 | 0.10 | 0.16 | 0.24 | 0.37 | 0.48 | 0.60 | 0.75 | 0.91 | 1.07 | 1.27 | 1.48 | 1.71 | 1.96 | 2.22 | 2.51 |
| | | | | C | 851 | 851 | 851 | 851 | 851 | 777 | 680 | 604 | 544 | 495 | 453 | 420 | 393 | 369 | 348 | 330 | 314 |
| | | | | D | 0.01 | 0.02 | 0.05 | 0.10 | 0.18 | 0.29 | 0.38 | 0.49 | 0.60 | 0.73 | 0.86 | 1.01 | 1.18 | 1.37 | 1.56 | 1.78 | 2.01 |
| | 6" | 3.22 | QI-06-4016 | U | 5118 | 2418 | 1360 | 870 | 604 | 444 | 340 | 269 | 218 | 180 | 151 | 129 | 111 | 97 | 85 | 75 | 67 |
| | | | | D | 0.02 | 0.06 | 0.10 | 0.16 | 0.22 | 0.30 | 0.40 | 0.51 | 0.63 | 0.76 | 0.90 | 1.05 | 1.22 | 1.41 | 1.59 | 1.80 | 2.02 |
| | | | | C | 1134 | 1134 | 1134 | 1088 | 907 | 777 | 680 | 604 | 544 | 495 | 453 | 418 | 389 | 363 | 340 | 320 | 302 |
| | | | | D | 0.01 | 0.03 | 0.07 | 0.12 | 0.18 | 0.25 | 0.32 | 0.41 | 0.50 | 0.60 | 0.72 | 0.85 | 0.98 | 1.13 | 1.28 | 1.44 | 1.61 |
| 14 | 12" | 5.62 | QI-12-4014 | U | 1461 | 1448 | 814 | 521 | 362 | 266 | 204 | 161 | 131 | 109 | 92 | 79 | 69 | 61 | 54 | 48 | 43 |
| | | | | D | 0.01 | 0.06 | 0.10 | 0.16 | 0.24 | 0.32 | 0.42 | 0.54 | 0.67 | 0.82 | 0.98 | 1.16 | 1.35 | 1.57 | 1.80 | 2.06 | 2.33 |
| | | | | C | 730 | 730 | 730 | 730 | 730 | 730 | 724 | 655 | 599 | 554 | 515 | 483 | 455 | 430 | 409 | 391 | |
| | | | | D | 0.00 | 0.01 | 0.04 | 0.07 | 0.12 | 0.20 | 0.30 | 0.43 | 0.54 | 0.65 | 0.78 | 0.93 | 1.08 | 1.26 | 1.44 | 1.65 | 1.87 |
| | 9" | 4.80 | QI-09-4014 | U | 2597 | 1988 | 1120 | 719 | 501 | 369 | 284 | 225 | 184 | 153 | 129 | 111 | 96 | 84 | 75 | 67 | 60 |
| | | | | D | 0.02 | 0.06 | 0.11 | 0.17 | 0.25 | 0.34 | 0.44 | 0.57 | 0.70 | 0.85 | 1.02 | 1.21 | 1.41 | 1.63 | 1.88 | 2.14 | 2.42 |
| | | | | C | 974 | 974 | 974 | 974 | 969 | 852 | 761 | 688 | 629 | 581 | 540 | 505 | 475 | 449 | 426 | 406 | |
| | | | | D | 0.01 | 0.02 | 0.05 | 0.10 | 0.17 | 0.27 | 0.36 | 0.45 | 0.56 | 0.68 | 0.82 | 0.97 | 1.13 | 1.31 | 1.50 | 1.71 | 1.93 |
| | 6" | 3.98 | QI-06-4014 | U | 5843 | 2895 | 1629 | 1042 | 724 | 532 | 407 | 322 | 261 | 215 | 181 | 154 | 133 | 116 | 102 | 91 | 82 |
| | | | | D | 0.03 | 0.06 | 0.12 | 0.19 | 0.28 | 0.37 | 0.48 | 0.61 | 0.75 | 0.91 | 1.08 | 1.26 | 1.47 | 1.69 | 1.92 | 2.19 | 2.48 |
| | | | | C | 1461 | 1461 | 1461 | 1303 | 1086 | 931 | 814 | 724 | 651 | 592 | 513 | 501 | 465 | 434 | 407 | 386 | 367 |
| | | | | D | 0.01 | 0.04 | 0.09 | 0.15 | 0.21 | 0.30 | 0.39 | 0.49 | 0.60 | 0.73 | 0.87 | 1.01 | 1.18 | 1.35 | 1.54 | 1.75 | 1.98 |



Interlocking Plank Stair Treads



| Specification of Interlocking Stair Tread | | | | | | | | | |
|---|-----|----------|-----|-------|------|-------|------|------|-----|
| Width | | A | | B | | C | | D | |
| inch | mm | inch | mm | inch | mm | inch | mm | inch | mm |
| 6 | 152 | 5-15/16 | 151 | 2-1/2 | 63.5 | 1-1/8 | 28.6 | 2 | 51 |
| 9 | 229 | 8-15/16 | 227 | 2-1/2 | 63.5 | 1-1/8 | 28.6 | 5 | 127 |
| 12 | 305 | 11-15/16 | 303 | 2-1/2 | 63.5 | 1-1/8 | 28.6 | 8 | 203 |

| Load Table of Interlocking Stair Treads | | | | | | |
|---|----------|------|----------|-----|-----------|-----|
| Span | 6" Width | | 9" Width | | 12" Width | |
| | U | C | U | C | U | C |
| 2' | 3722 | 1461 | 2357 | 974 | 1276 | 730 |
| 2' 6" | 2382 | 1168 | 1508 | 974 | 816 | 730 |
| 3' | 1654 | 1241 | 1050 | 974 | 783 | 730 |
| 4' | 931 | 931 | 593 | 889 | 442 | 730 |

U: uniform load (lb./ft.²) C: concentrated load (lb.)

Accessories for Interlocking Safety Gratings



Hold-down clamps



Hold-down clip

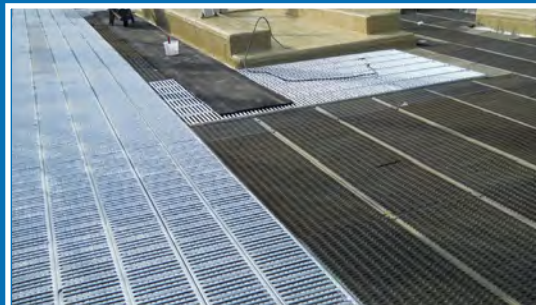
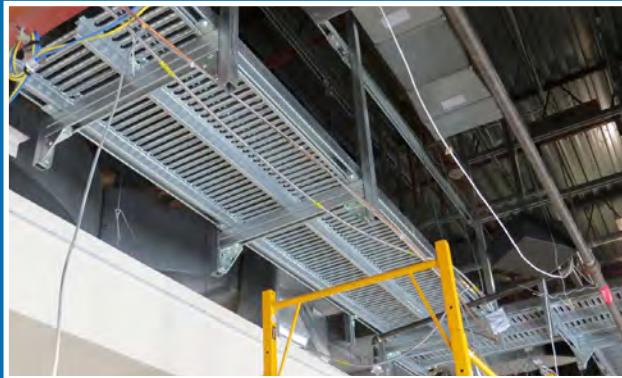


Anchor J-bolts

| Table-1: Kit List of Bolt Washer Seat | | |
|---------------------------------------|--|--------|
| Item | Size | Number |
| Hex Head Cap Screw | 5/16"-18 | 1 |
| Flat washer | 5/16" | 1 |
| Hex Nut | 5/16"-18 | 1 |
| Material | Mill galvanized plain steel or stainless steel type 304. | |

| Table-2: Kit List of Anchor J-bolt | | |
|------------------------------------|--|--------|
| Item | Size | Number |
| Hex Head Cap Screw | 5/16"-18 × 2-13/16 | 1 |
| Flat washer | 5/16" | 2 |
| Hex Nut | 5/16"-18 | 2 |
| Material | Mill galvanized plain steel or stainless steel type 304. | |

Application





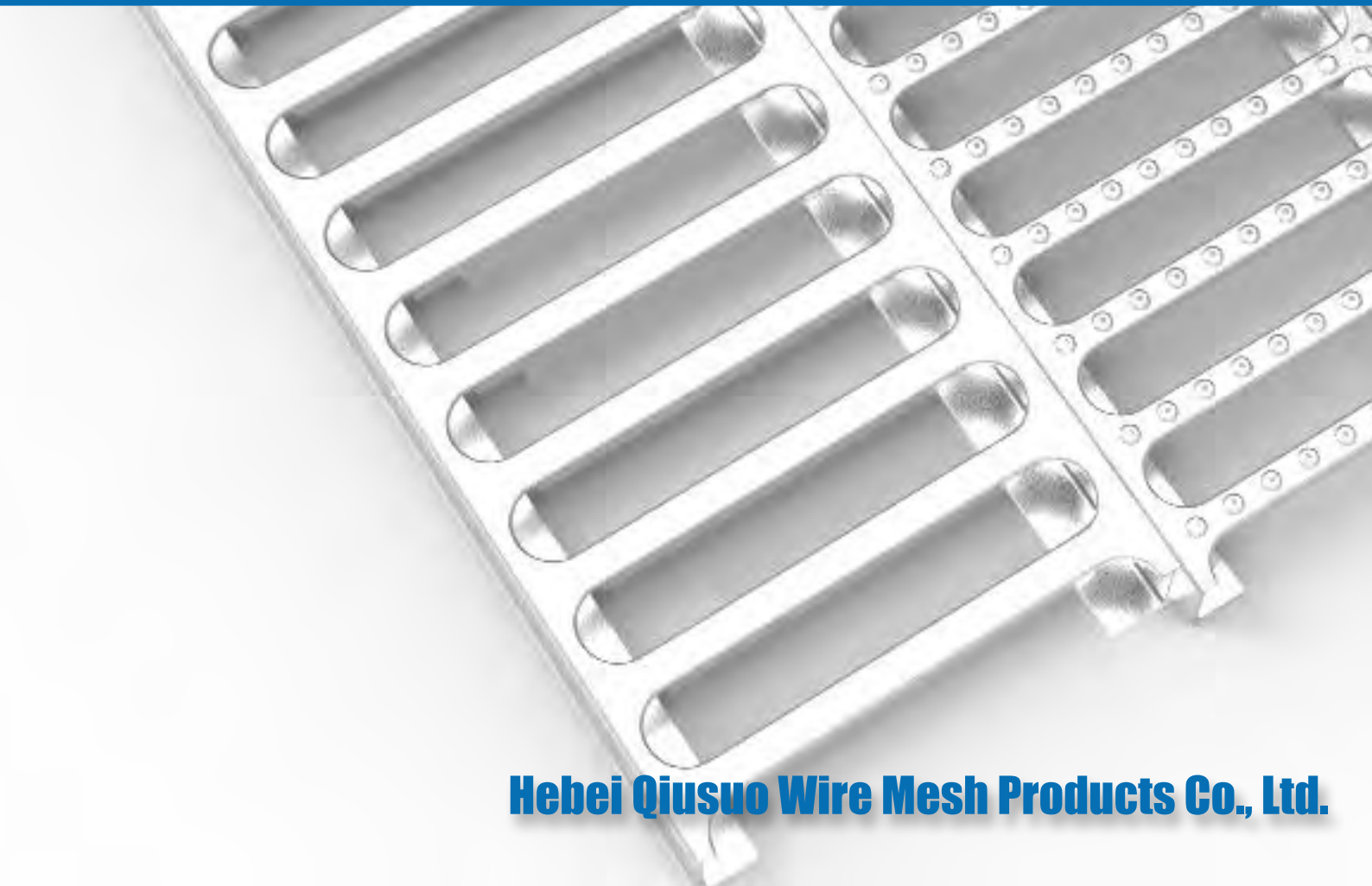
Company: Hebei Qiusuo Wire Mesh Products Co., Ltd.

Address: Wire Mesh Industrial Development Zone, Anping,
Hebei, China. 053600

Tel: +86-18703384586(WhatsApp)

Email: sales@qs-wiremesh.com sandy@qs-wiremesh.com

Website: www.qs-wiremesh.com



Hebei Qiusuo Wire Mesh Products Co., Ltd.